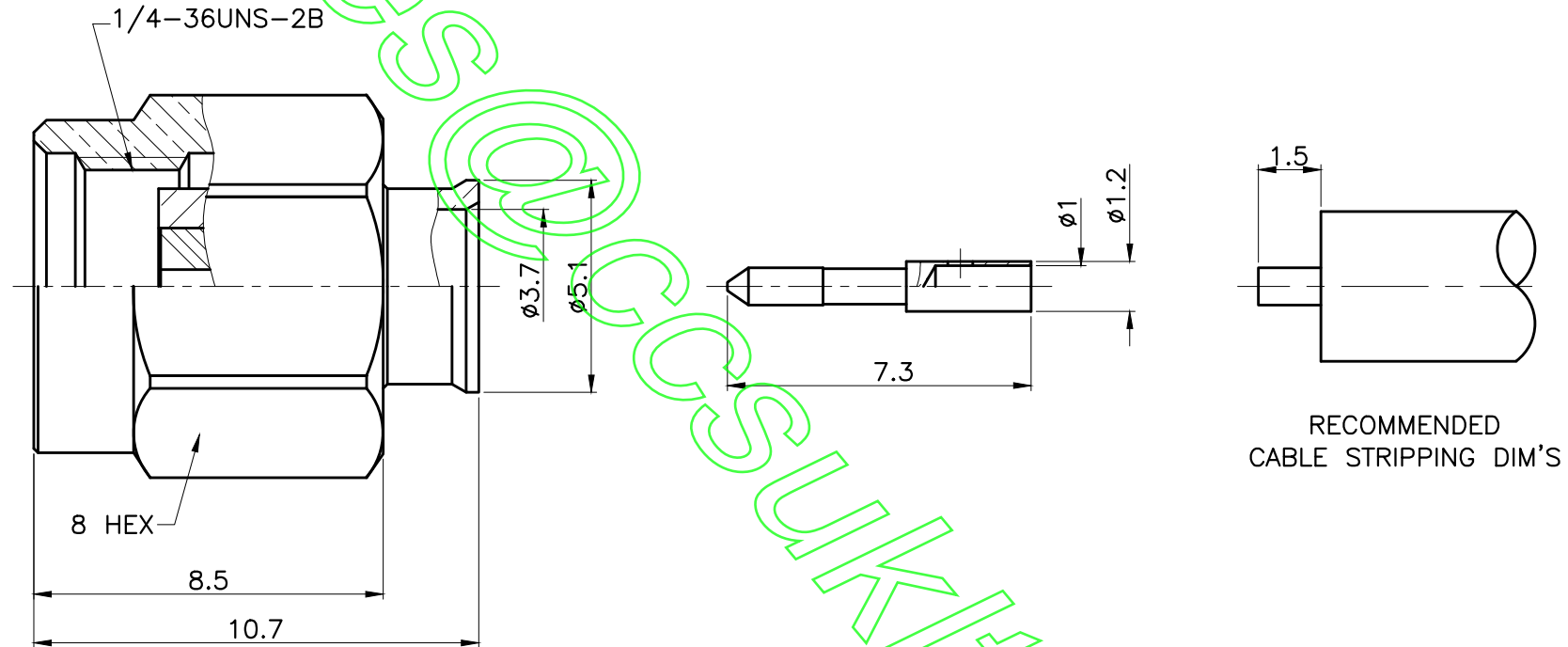


REVISIONS	
ISS	DESCRIPTION \ DATE

RoHS COMPLIANT



CONNECTORS CABLES  
**COS**  
 SPECIALISTS LTD.

TITLE: SMA MALE (FOR .141 SEMI RIGID)		APRD:	UNLESS OTHERWISE SPECIFIED TOLERANCES 0.5-6 = $\pm 0.2$ >6-30 = $\pm 0.4$ >30-120 = $\pm 0.6$ >120-315 = $\pm 1$ >315-1000 = $\pm 1.6$ ANGLES = $\pm 5^\circ$	CONTACT PIN	BRASS	GOLD
PART NO: . SMAPUT141		CHKD:		SHELL	BRASS	GOLD
DRAWING NO: . 055		DR:		C RING	STAINLESS	
DATE: 12/09/14"		UNIT: mm	GASKET	SILICONE	RED	
SHEET: .		SCALE: 6/1	INSULATOR	TEFLON	WHITE	
			BODY	BRASS	GOLD	
			NO. DESCRIPTION	MATERIAL	FINISH	